

# Reliable Connecting Solutions for Aftermarket



Driveshaft  
Thermal Management  
Air Suspension  
Fuel Lines

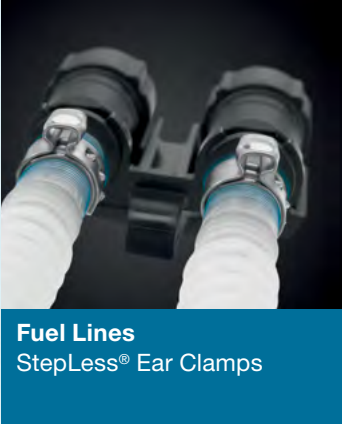
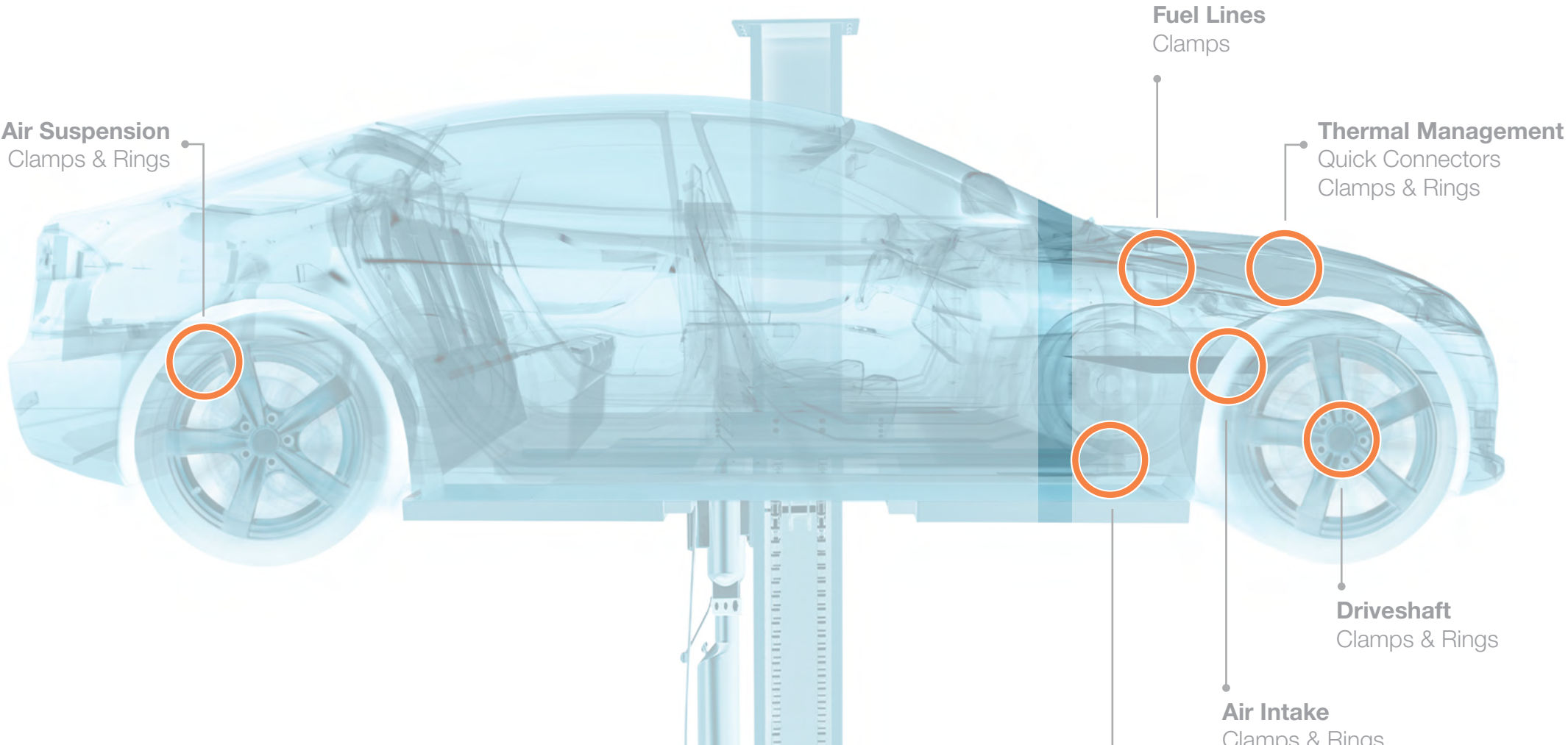


Reliable Connections

# Reliable connections

throughout the lifetime of the vehicle

Our clamps, quick connectors and tools are specially designed for a wide range of vehicle components within the aftermarket business and specifically developed to meet today and tomorrow's market requirements.



# Global Customer Support

For All Phases of Development

## Advanced Engineering

Engineering tailored to Aftermarket  
Dedicated localized support  
Flexible in design

## System Integration

Aftermarket testing & validation  
Assembly solution engineering  
Tailored assembly tools

## Production

Quality assurance  
Worldwide production  
On-site technical support  
Commissioning & maintenance

## Support & Maintenance

Tool training and assistance  
Assembly validation  
Maintenance and calibration  
Tool and software upgrades

# A RELIABLE PARTNER FOR AUTOMOTIVE AFTERMARKET

At Oetiker, we supply connecting solutions with original equipment quality for quick, easy installation saving time and making work processes more efficient.



## DRIVESHAFT / STEERING CONNECTIONS



### DualHook Adjustable Ear Clamps 259

Stainless steel | 24.5 – 120.2 mm

Features interlock structures for extra high force. Adjustable with less part numbers. Suitable for TPE and rubber boots. Offers high radial loads for a strong sealing performance.



### StepLess® Ear Clamps 193 & 167

Stainless steel | 6.5 – 120.5 mm

Features a 360° leak-proof seal. Provides uniform surface pressure. Compensates for component tolerances.



### Adjustable Clamps 113 & 163

113 Zinc-plated steel, 163 Stainless steel  
30.0 – 132.0 mm

Multi-purpose clamps that can be adjusted to several diameters. Fast and easy radial or axial installation. Ideal for soft materials.



### StepLess® Low Profile Clamps 168 & 192

Stainless steel | 10.5 – 120.5 mm

Provides uniform surface pressure. Requires minimum space. Burr-free strip edges.

## THERMAL MANAGEMENT CONNECTIONS



### StepLess® Ear Clamps 193

Stainless steel | 18.0 – 120.5 mm

Provides a 360° leak-free sealing. Tamperproof design. Offers high radial loads and compensates for component tolerances.



### StepLess® Ear Clamps 167

Stainless steel | 6.5 – 120.5 mm

Features a 360° seal for uniform surface pressure. Compensates for component tolerances.



### Multi Crimp Rings 250

Stainless steel | 15.0 – 120.5 mm

Full material cross-section over 360° for constant pressure applied uniformly around the circumference offers leak-free sealing with low assembled height.



### Multi Crimp Rings 150

Stainless steel | 5.0 – 50.0 mm

Optimum sealing prevents leakage. Offers high, adjustable surface pressure and requires minimum space. Features stepless sealing for constant pressure applied uniformly around the circumference.



### Quick Connectors 201 & 210

201 Coated steel, 210 Aluminum  
Tube size range: 8.0 – 25.4 mm

One piece machined body is lightweight and ideal for compact spaces. Controlled axial clearance prevents micro leakage. Minimum pressure drop ensures optimum flow.



### StepLess® Screw Clamps 178

Stainless steel | 18.0 – 255.0 mm

Can be adjusted to several diameters and features a 360° leak-proof seal. Also available in Self-Tensioning. Reusable.

Please [contact](#) an Oetiker representative for a complete range of product options.

# MAKING REPAIR AND MAINTENANCE EASY AND EFFICIENT

Delivering quick and reliable auto repair solutions with OEM-quality is what we know best. Our wide range of Aftermarket connections and dedicated support services help reduce warranty claims and returns thus reducing vehicle downtimes, allowing people to stay mobile.

## DRIVESHAFT / STEERING CONNECTIONS



### DualHook Adjustable Ear Clamps 259

Stainless steel | 24.5 – 120.2 mm

Features interlock structures for extra high force. Adjustable with less part numbers. Suitable for TPE and rubber boots. Offers high radial loads for a strong sealing performance.



### Adjustable Clamps 159

Stainless steel | 25.0 – 110.0 mm

Multi-position interlock for several clamp diameters. Powerful all-around sealing. Supplied flat.



### Adjustable Clamps 163

Stainless steel | 30.0 – 132.0 mm

Multi-purpose clamps that can be adjusted to several diameters. Fast and easy radial or axial installation.



### Adjustable Clamps 109

Zinc-plated steel | 29.5 – 122.0 mm

Effective and powerful all-around sealing. Can be adjusted to several diameters. Supplied pre-shaped.



### Adjustable Clamps 113

Zinc-plated steel | 30.0 – 132.0 mm

Can be adjusted to several diameters. Radial guidance for effective all-around sealing. Ideal for soft materials.

## THERMAL MANAGEMENT CONNECTIONS



### StepLess® Ear Clamps 193

Stainless steel | 18.0 – 120.5 mm

Provides a 360° leak-free sealing. Tamperproof design. Offers high radial loads and compensates for component tolerances.



### StepLess® Ear Clamps 167

Stainless steel | 6.5 – 120.5 mm

Features a 360° seal for uniform surface pressure. Compensates for component tolerances. Lightweight.



### Quick Connectors 201 & 210

201 Coated steel, 210 Aluminum  
Tube size range: 8.0 – 25.4 mm

One piece machined body is lightweight and ideal for compact spaces. Controlled axial clearance prevents micro leakage. Minimum pressure drop ensures optimum flow.



### StepLess® Screw Clamps 178

Stainless steel | 18.0 – 255.0 mm

Can be adjusted to several diameters and features a 360° leak-proof seal. Also available in Self-Tensioning. Reusable.

Please [contact](#) an Oetiker representative for a complete range of product options.

# MAKING WORK PROCESSES MORE EFFICIENT WITH OETIKER ALL-IN-ONE ASSORTMENT KITS

With 75% of Aftermarket auto repair happening in independent shops, the accessibility to a variety of genuine original equipment without having to buy it in bulk becomes key in offering quality service.



## OETIKER EXPERTAINER



### Expertainer for Passenger Vehicles

For Thermal Management, Constant Velocity Joints (CVJ), Fuel Line, Steering.

Included products:  
StepLess® Ear Clamps 167, Adjustable Clamps 163, Adjustable Clamps 159, Manual Pincer



### Expertainer for Commercial & Industrial Vehicles

For Cooling, Intercooling, Air Induction.

Included products:  
Worm Drive Clamps 177, Worm Drive Clamps 180



### Expertainer for Thermal Management Systems

For Thermal Management, Intercooling.

Included products:  
Worm Drive Clamps 177



### Expertainer for 2-Wheelers

For Fuel Injection, Fuel Filter, Cooling, Air Intake, Oil Cooler Line.

Included products:  
StepLess® Ear Clamps 167, Adjustable Clamps 163, Worm Drive Clamps 126



### Expertainer for Constant Velocity Joints (CVJ)

For TPE and rubber boot.

Included products:  
DualHook Adjustable Ear Clamps 259



### Refill Packs

Available for all Expertainer products.



### Aftermarket Display

For Constant Velocity Joints (CVJ).

Included products:  
Clamp Kits Adjustable Clamps 159, Manual Pincer

Please [contact](#) an Oetiker representative for a complete range of product options.

# FULL-SERVICE TOOL AND MAINTENANCE SUPPORT

Oetiker assembly and maintenance support are managed through dedicated in-house service teams, ensuring aftermarket connections are installed properly every time.



## ASSEMBLY TOOLS FOR MANUFACTURERS / REMANUFACTURERS



### Pneumatic Pincers

**For high-volume assembly of Ear Clamps and Low Profile Clamps.**

Highly efficient  
Process reliable  
Closure verification  
Ergonomic pistol grip (optional)



### Cordless Pincers / Cordless Crimp Pincers

**For assembly of Ear Clamps / Multi Crimp Rings (MCR).**

Flexible cordless design  
Process reliable  
Closure verification  
Ergonomic design

## ASSEMBLY TOOLS FOR AUTO REPAIR



### Hand Installation Tools

**For installation of Oetiker products.**

Quick and easy installation  
Exponential gain of mechanical advantage  
Secure grip and comfort  
Reduced fatigue and risk of repetitive injury



### Hand Clamp Cutters (HCC)

**For disassembly of Ear Clamps.**

Specially designed to remove Oetiker Ear Clamps up to 7.0 mm wide x 0.6 mm band thickness to 9.0 mm wide x 0.8 mm band thickness  
"No-Crimp™" Jaws, for cutting only  
Protective hand grip  
The easiest and safest method of ear clamp removal



### Cordless Pincers

**For assembly of Ear Clamps.**

Flexible cordless design  
Process reliable  
Closure verification  
Ergonomic design



### Test Equipment

**For calibration of closing forces.**

Three models available to suit closing force range  
Economical alternative for closing force calibration  
Uniform and reproducible process quality

Please [contact](#) an Oetiker representative for a complete range of product options.

# 360° solution approach

## Drives innovation

Aftermarket and service repair industries require products that ensure quick and easy installation, minimizing warranty claims and preventing return service repairs. As a world leading provider of innovative connecting solutions, customers count on Oetiker to provide peace of mind for aftermarket connections with OEM quality and ISO Standards. Pioneering reliable fastening components for over 75 years, we deliver high quality connecting and assembly solutions that are simpler, smarter and stronger.

